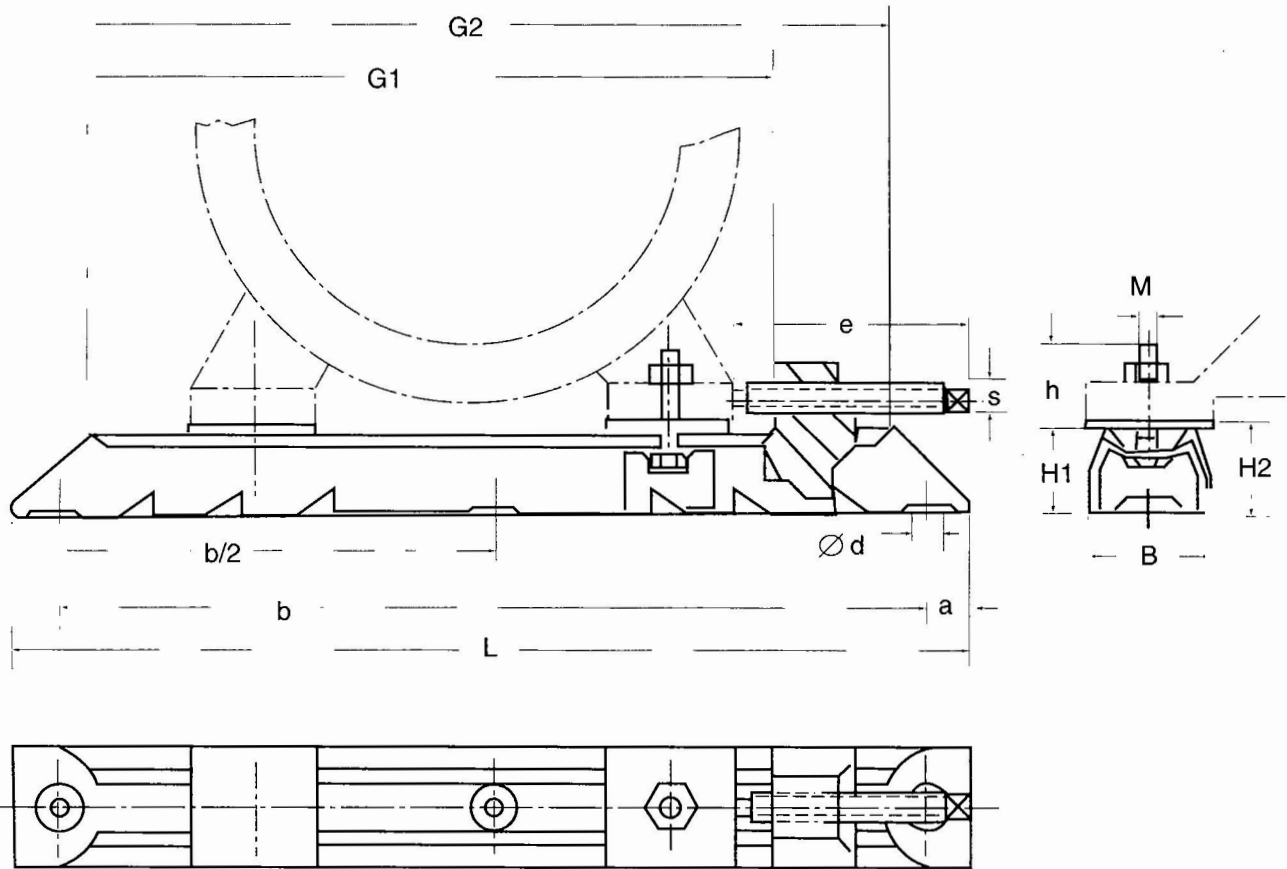


Adjustable Motor Mounting



| Type | Total Length L | Slide Length G ₁ | Motor-type | M x h | e x s | G ₂ | a | b | b/2 | Ø d | B | H ₁ | H ₂ | G.W. (kg) |
|---------|-------------------|--------------------------------|-------------|----------|----------|----------------|----|------|-----|-----|-----|----------------|----------------|--------------|
| 312/6 | 312 | 240 | 63/71 | M6 X 19 | 75 X 6 | 262 | 16 | 280 | - | 12 | 40 | 28 | 30 | 1.4 |
| 312/8 | 312 | 240 | 80/90 | M8 X 27 | 75 X 6 | 262 | 16 | 280 | - | 12 | 40 | 28 | 30 | 1.5 |
| 375/6 | 375 | 305 | 63/71 | M6 X 19 | 75 X 6 | 325 | 16 | 343 | - | 12 | 40 | 28 | 30 | 1.5 |
| 375/8 | 375 | 305 | 80/90 | M8 X 27 | 75 X 6 | 325 | 16 | 343 | - | 12 | 40 | 28 | 30 | 1.6 |
| 375/10 | 375 | 305 | 100/112 | M10 X 32 | 75 X 6 | 325 | 16 | 343 | - | 12 | 40 | 28 | 30 | 1.6 |
| 395/8 | 395 | 302 | 80/90 | M8 X 28 | 97 X 8 | 325 | 20 | 355 | - | 12 | 50 | 40 | 43 | 3.4 |
| 395/10 | 395 | 302 | 100/112 | M10 X 35 | 97 X 8 | 325 | 20 | 355 | - | 12 | 50 | 40 | 43 | 3.4 |
| 495/8 | 495 | 405 | 80/90 | M8 X 29 | 97 X 8 | 425 | 20 | 455 | - | 12 | 50 | 40 | 43 | 4.0 |
| 495/10 | 495 | 405 | 100/112/132 | M10 X 35 | 97 X 8 | 425 | 20 | 455 | - | 12 | 50 | 40 | 43 | 4.0 |
| 495/12 | 495 | 405 | 160 | M12 X 49 | 97 X 8 | 425 | 20 | 455 | - | 12 | 50 | 40 | 43 | 4.0 |
| 530/10 | 530 | 413 | 132 | M10 X 37 | 119 X 9 | 442 | 25 | 480 | - | 14 | 60 | 50 | 54 | 6.4 |
| 530/12 | 530 | 413 | 160 | M12 X 49 | 119 X 9 | 442 | 25 | 480 | - | 14 | 60 | 50 | 54 | 6.4 |
| 630/10 | 630 | 515 | 132 | M10 X 37 | 119 X 9 | 542 | 25 | 580 | - | 14 | 60 | 50 | 54 | 8.2 |
| 630/12 | 630 | 515 | 160/180 | M12 X 45 | 119 X 9 | 542 | 25 | 580 | - | 14 | 60 | 50 | 54 | 8.2 |
| 686/12 | 686 | 538 | 160/180 | M12 X 43 | 154 X 12 | 575 | 28 | 630 | 315 | 18 | 75 | 60 | 64 | 12.8 |
| 686/16 | 686 | 538 | 200/225 | M16 X 62 | 154 X 12 | 575 | 28 | 630 | 315 | 18 | 75 | 60 | 64 | 12.8 |
| 864/16 | 864 | 700 | 200/225 | M16 X 60 | 300 X 16 | 810 | 32 | 800 | 400 | 24 | 90 | 75 | - | 16.6 |
| 864/20 | 864 | 700 | 250/280 | M20 X 68 | 300 X 16 | 810 | 32 | 800 | 400 | 24 | 90 | 75 | - | 16.6 |
| 1072/20 | 1072 | 865 | 250/280 | M20 X 77 | 360 X 19 | 995 | 36 | 1000 | 500 | 30 | 112 | 100 | - | 33.4 |
| 1072/24 | 1072 | 865 | 315 | M24 X 88 | 360 X 19 | 995 | 36 | 1000 | 500 | 30 | 112 | 100 | - | 33.5 |
| 1330/24 | 1330 | 1065 | 315/355 | M24 X 95 | 430 X 21 | 1215 | 40 | 1250 | 625 | 30 | 130 | 125 | - | 56.6 |