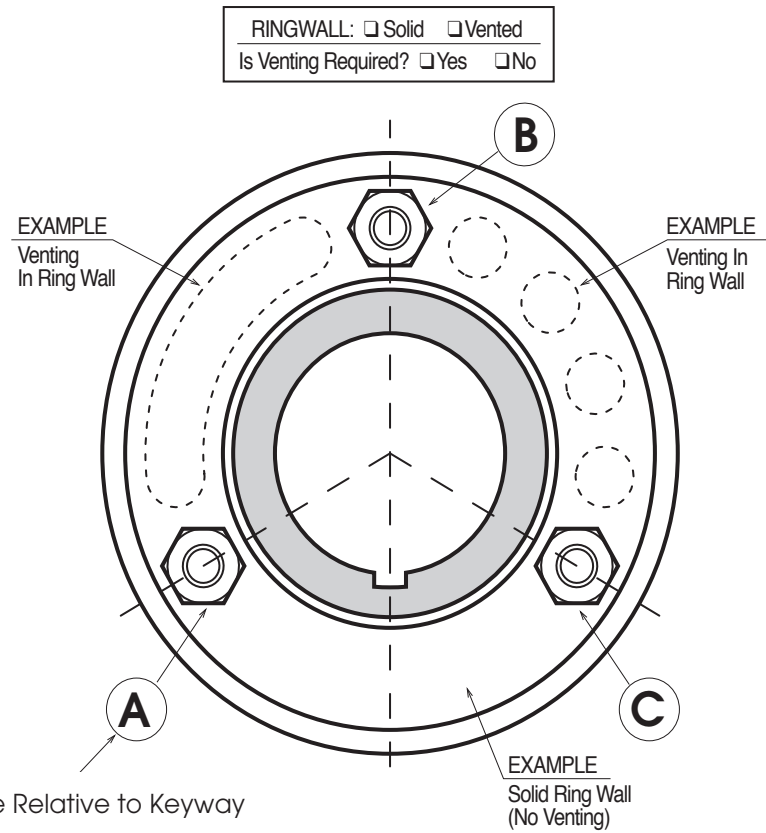
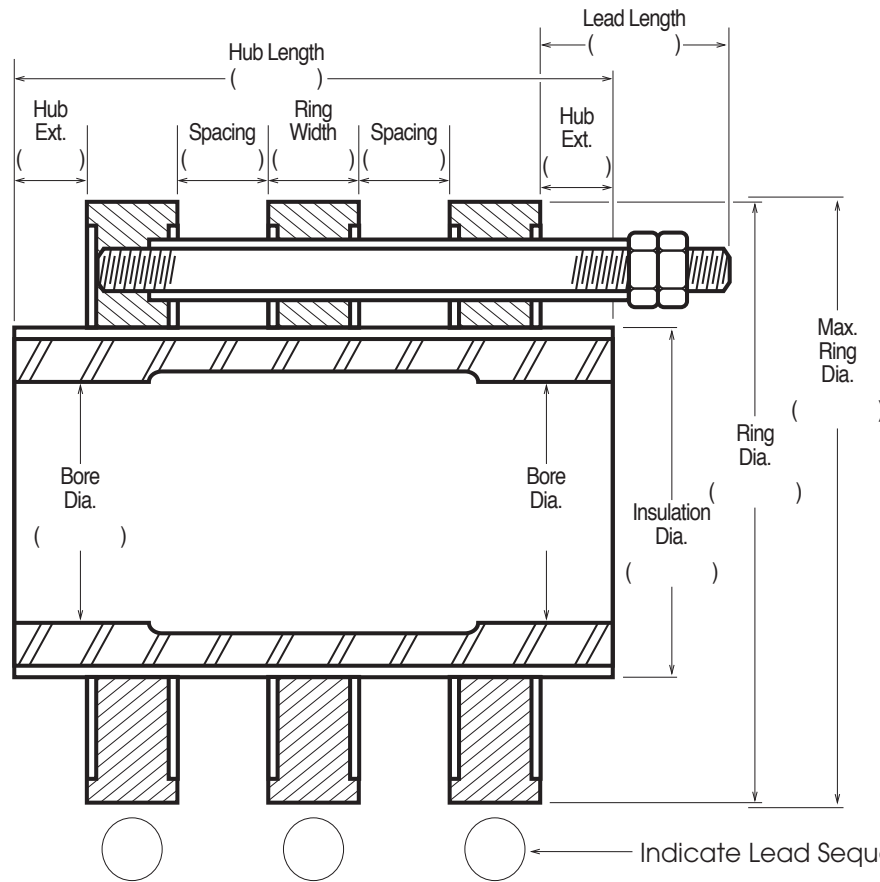


Електродвигател с навит ротор

Елин инженеринг - бланка за поръчка на контактни пръстени



Original Mfr. _____ Frame No. _____ Type _____ Model No. _____
 HP _____ KW _____ RPM _____ Secondary Volts _____ Secondary Amps _____
 No. of Rings _____ Ring Material: Bronze Steel Copper Other _____ Ring-to-Ring Space is: Insulated Air Gap
 Type of Leads: Strap Rod Other _____ Size of Leads _____ Leads Per Ring _____
 Hub Material: Steel Molded *If Molded - Micrometer Measurement of Shaft Diameter Corresponding to the Hub Bore Diameter Is Required.*
 Shaft Diameter _____ Keyway Size _____
 Job No. _____ Notes: _____